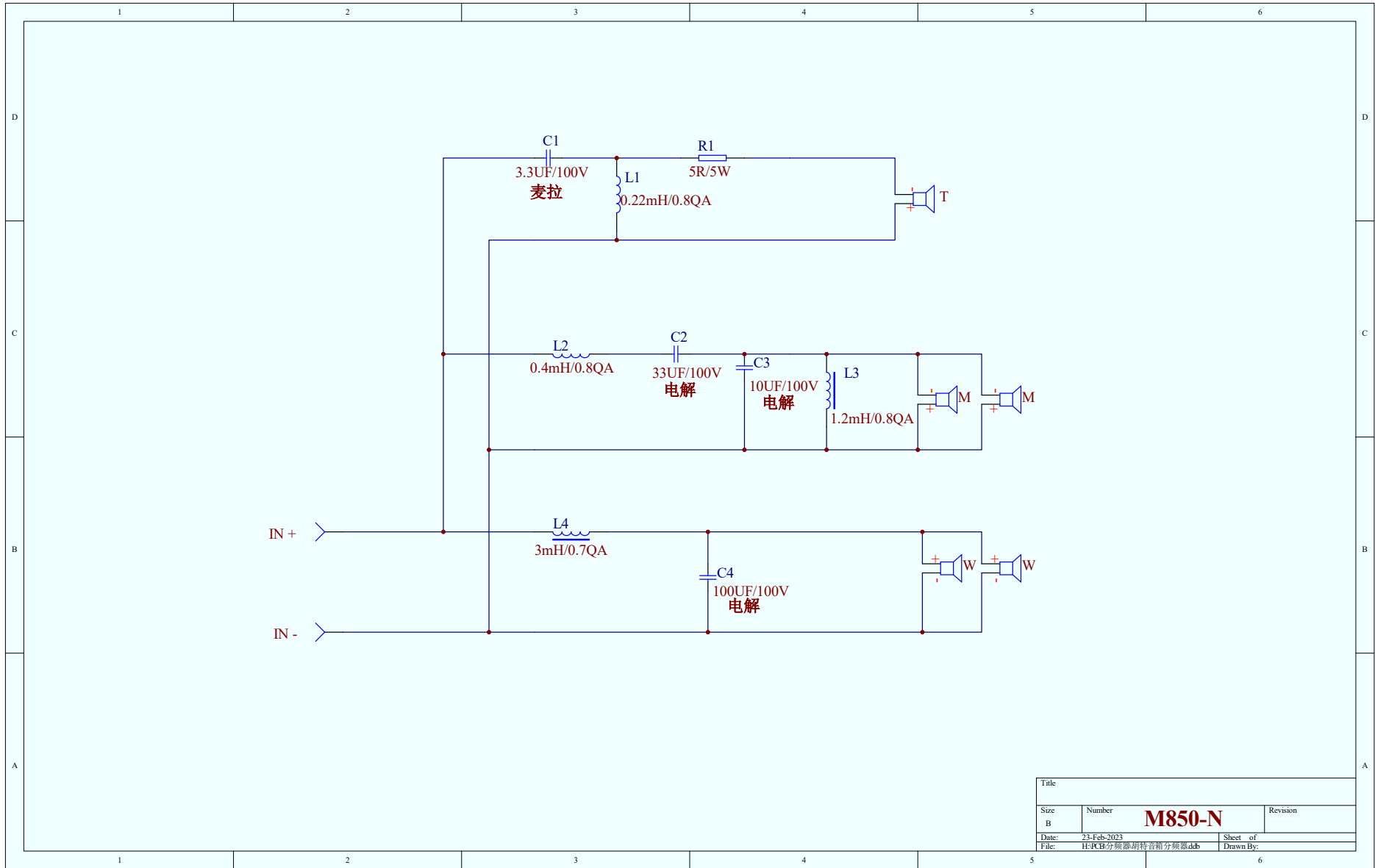


Title			
Size	Number	M820-IW	Revision
B			
Date:	23-Feb-2023	Sheet	of
File:	H:\PCB\分频器\胡特音箱分频器.ddb	Drawn By:	



Title			
Size	Number	M850-N	Revision
B			
Date:	23-Feb-2023	Sheet	of
File:	H:\PCB\分频器\胡特音箱分频器.ddb	Drawn By:	